



Manufactured according to OIML R60 standards

### Capacity from 5 kg to 50 kg



- AISI 420 STAINLESS STEEL
- COMBINED ERROR  $\leq \pm 0.05\%$
- IP65 PROTECTION RATING

CAPACITY	kg	PLATFORM (mm)	NET WEIGHT (kg)
	5	150 x 150	0.13
	15	150 x 150	0.13
	50	150 x 150	0.13

### CERTIFICATIONS

**EAC** Complies with the Eurasian Customs Union regulations

**UK CA** Equivalent of the CE marking for the United Kingdom

#### CERTIFICATIONS ON REQUEST

Calibration report

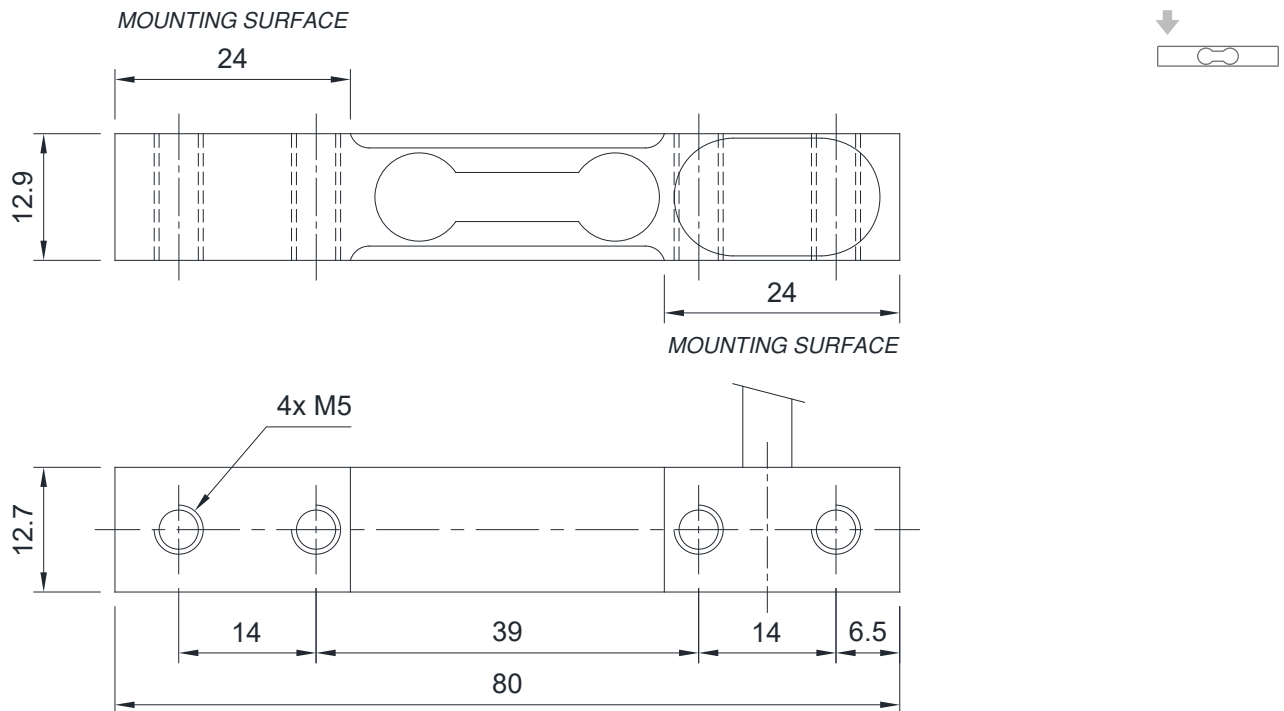
**Ex** ATEX II 1G 2D (zone 0-1-2-21-22) ( **CE - UK CA** )

**IECEx** (zone 0-1-2-20-21-22)

**EAC Ex** Complies with the Eurasian Customs Union regulations for use in potentially explosive atmospheres

**Ex NIEPSA** Complies with Chinese market regulations for use in potentially explosive atmospheres

### DIMENSIONS (mm)



For the load cell fixing screws, provide the tightening torque indicated in the table

Screw	M5	
Screw class	6.8	8.8
Tightening torque	4.5 Nm	6 Nm

### TECHNICAL FEATURES

Material	AISI 420 stainless steel		
Nominal load (E max)	5 - 15 - 50 kg		
Combined error	≤ ±0.05%		
Protection rating	IP65		
Rated output	3 mV/V ±10%	Input resistance	410 Ω ±40
Temperature effect on zero	0.005% °C	Output resistance	350 Ω ±5
Temperature effect on span	0.005% °C	Zero balance	±2%
Compensated temperature range	-10 °C / +40 °C	Insulation resistance	>2000 MΩ
Operating temperature range	-20 °C / +60 °C	Safe overload (% of full scale)	150%
Creep at nominal load in 30 minutes	0.05%	Ultimate overload (% of full scale)	200%
Max supply voltage without damage	10 V	Deflection at nominal load	0.5 mm

### ELECTRICAL CONNECTIONS

Cable length	3 m
Cable diameter	4 mm
Cores	4 x 0.20 mm <sup>2</sup>

