

## SINGLE-POINT LOAD CELL for platforms 400x400/800x800 mm



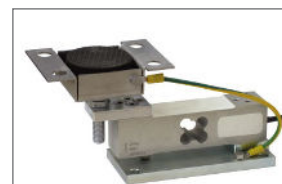
### Capacity from 100 kg to 500 kg



### Capacity from 10 kg to 50 kg



#### MOUNTING KIT



T8AZL capacity 50 kg  
Can be used for systems with at least 3 supports

- 17-4 PH STAINLESS STEEL
- COMBINED ERROR  $\leq \pm 0.02\%$  (0.017% C4)
- IP68 PROTECTION RATING

CAPACITY	kg	ACCURACY CLASS				PLATFORM (mm)	NET WEIGHT (kg)
		C3	C4				
10		•	•	–	•	400 x 400	0.9
20		•	•	•	•	400 x 400	0.9
50		•	•	•	•	400 x 400	1
100		•	–	•	•	800 x 800	2.7
200		•	–	•	•	800 x 800	2.7
300		•	–	•	•	800 x 800	2.8
500		•	–	•	•	800 x 800	2.8

ON REQUEST

### CERTIFICATIONS

- OIML R60 C3
- Complies with the Eurasian Customs Union regulations
- Equivalent of the CE marking for the United Kingdom
- Complies with United Kingdom regulations for legal for trade use

#### CERTIFICATIONS ON REQUEST



Declaration of conformity + IP69K marking protection rating  
Water protection in case of high-pressure or steam jet cleaning (test: pressurized water is sprayed from a distance of max 150 mm)  
Water pressure: 100 bar; temperature: 80 °C; test duration: 250 seconds (reference standard: DIN 40050-9)

Calibration report



ATEX II 1G 2D (zone 0-1-2-21-22) (CE - UK CA)



IECEx (zone 0-1-2-20-21-22)



OIML R60 C4



Complies with the Eurasian Customs Union regulations for use in potentially explosive atmospheres



FM HazLoc - Complies with the United States and Canada regulations for use in potentially explosive atmospheres



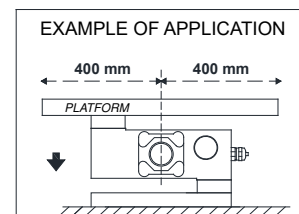
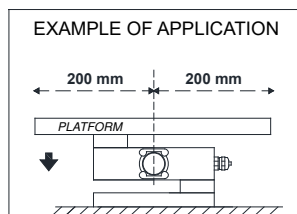
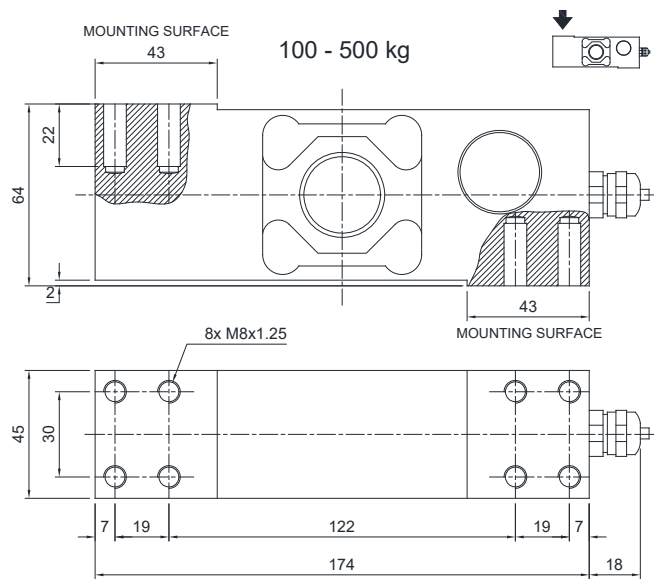
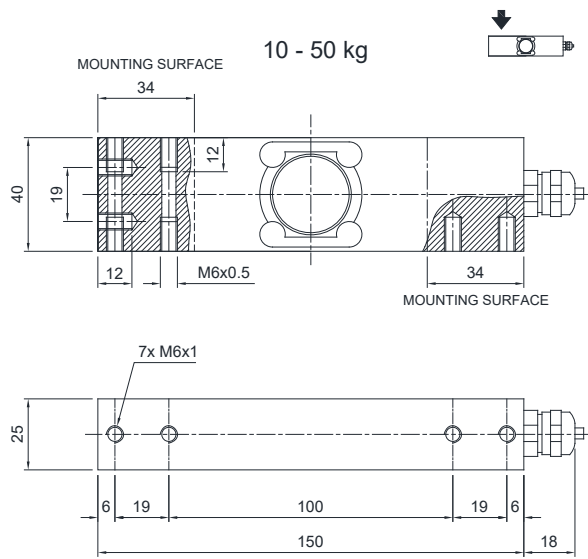
Complies with Chinese market regulations for use in potentially explosive atmospheres



NTEP - Complies with United States regulations for legal for trade use

## SINGLE-POINT LOAD CELL for platforms 400x400/800x800 mm

### DIMENSIONS (mm)



For the load cell fixing screws, provide the tightening torque indicated in the table

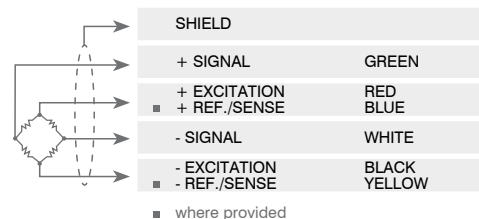
Screw	M6		M8	
	6.8	8.8	6.8	8.8
Tightening torque	7.5 Nm	10 Nm	19 Nm	25 Nm

### TECHNICAL FEATURES

Material	17-4 PH Stainless steel	
OIML R60 Accuracy class • Verification intervals	C3 • 3000	C4 • 4000
Nominal load (E max)	10 - 20 - 50 - 100 - 200 - 300 - 500 kg	10 - 20 - 50 kg
Minimum verification interval (V min)	E max / 10000	E max / 40000
Combined error	≤ ±0.02%	≤ ±0.017%
Protection rating	IP68	
Rated output	2 mV/V ±10%	Input resistance 350 Ω ±3.5
Temperature effect on zero	0.0017% °C	Output resistance 350 Ω ±3.5
Temperature effect on span	0.0014% °C	Zero balance ±2%
Compensated temperature range	-10 °C / +40 °C	Insulation resistance ≥5000 MΩ
Operating temperature range	-35 °C / +65 °C	Safe overload (% of full scale) 150%
Creep at nominal load in 30 minutes	0.02%	Ultimate overload (% of full scale) 300%
Max supply voltage without damage	18 V	Deflection at nominal load 0.5 mm

### ELECTRICAL CONNECTIONS

Cable length	3 m
Cable diameter	5 mm
Cores	4/6 x 0.20 mm <sup>2</sup>



### COMPLEMENTARY ACCESSORIES

	DESCRIPTION	CODE
	Stainless steel drawn block for capacities up to 50 kg.	BLOCPRC
	Stainless steel drawn block for capacities from 100 to 500 kg.	BLOCAPL