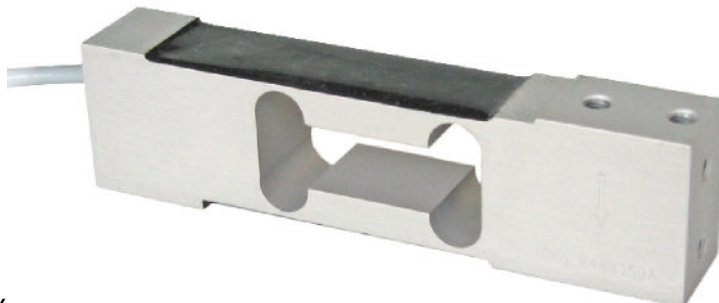


SINGLE-POINT LOAD CELL for platforms 400x400 mm

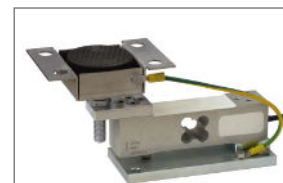


Capacity from 10 kg to 100 kg



- ALUMINUM ALLOY
- COMBINED ERROR $\leq \pm 0.02\%$ (0.017% C4)
- IP65 PROTECTION RATING

MOUNTING KIT



T8AZL

Can be used for systems with at least 3 supports

CAPACITY	kg	ACCURACY CLASS C3	ACCURACY CLASS C4			PLATFORM (mm)	NET WEIGHT (kg)
10		•	–	•	•	400 x 400	0.4
15		•	•	•	•	400 x 400	0.4
20		•	•	•	•	400 x 400	0.4
30		•	•	•	•	400 x 400	0.4
50		•	•	•	•	400 x 400	0.4
100		•	–	•	•	400 x 400	0.4

ON REQUEST

CERTIFICATIONS

- OIML R60 C3
- Complies with the Eurasian Customs Union regulations
- Equivalent of the CE marking for the United Kingdom
- Complies with United Kingdom regulations for legal for trade use

CERTIFICATIONS ON REQUEST

Calibration report

ATEX II 1G 2D (zone 0-1-2-21-22) (CE - UK CA)

IECEx (zone 0-1-2-20-21-22)

OIML R60 C4

Complies with the Eurasian Customs Union regulations for use in potentially explosive atmospheres

Complies with Chinese market regulations for use in potentially explosive atmospheres

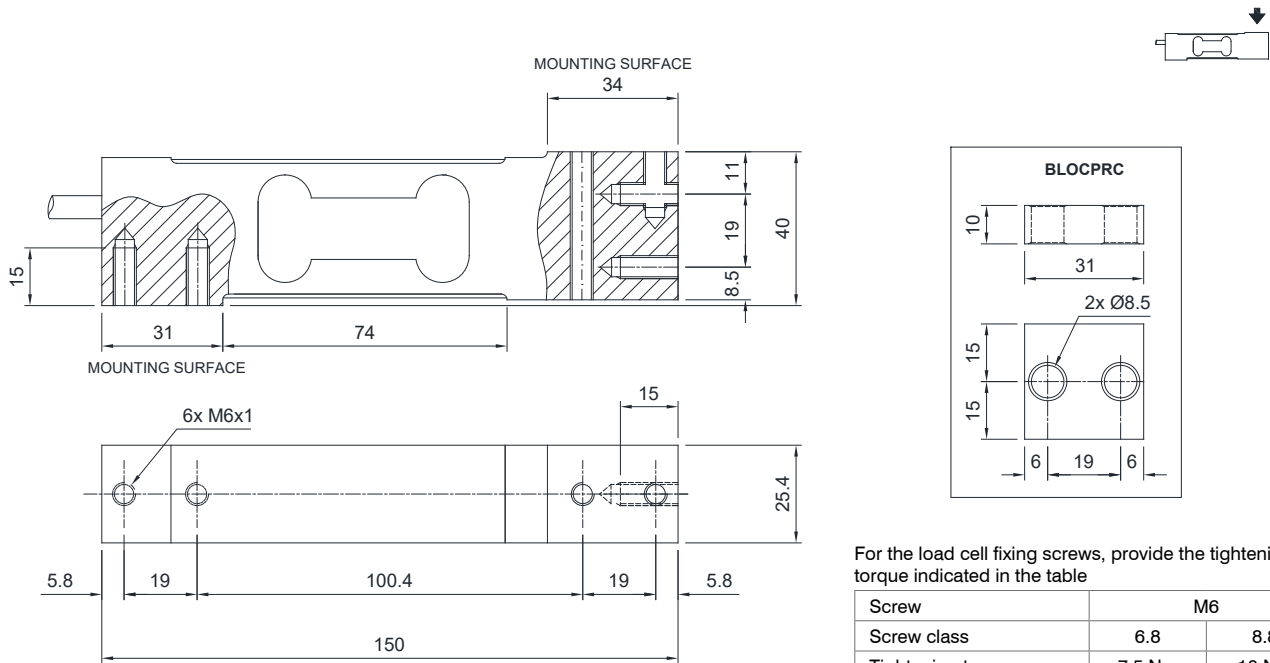
NTEP - Complies with United States regulations for legal for trade use

COMPLEMENTARY ACCESSORIES

	DESCRIPTION	CODE
	Stainless steel drawn block.	BLOCPRC

SINGLE-POINT LOAD CELL for platforms 400x400 mm

DIMENSIONS (mm)



For the load cell fixing screws, provide the tightening torque indicated in the table

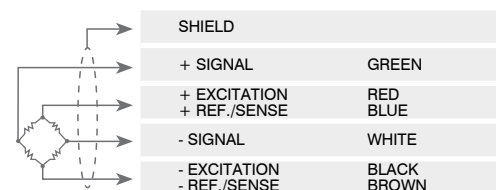
Screw	M6	
Screw class	6.8	8.8
Tightening torque	7.5 Nm	10 Nm

TECHNICAL FEATURES

Material	Aluminum alloy	
OIML R60 Accuracy class • Verification intervals	C3 • 3000	C4 • 4000
Nominal load (E max)	10 - 15 - 20 - 30 - 50 - 100 kg	15 - 20 - 30 - 50 kg
Minimum verification interval (V min)	E max / 12000	E max / 20000
Combined error	≤ ±0.02%	≤ ±0.017%
Protection rating	IP65	
Rated output	2 mV/V ±10%	Input resistance 409 Ω ±6
Temperature effect on zero	0.0017% °C	Output resistance 350 Ω ±3
Temperature effect on span	0.0014% °C	Zero balance ≤ ±1%
Compensated temperature range	-10 °C / +40 °C	Insulation resistance ≥ 5000 MΩ
Operating temperature range	-35 °C / +65 °C	Safe overload (% of full scale) 150%
Creep at nominal load in 30 minutes	0.02%	Ultimate overload (% of full scale) 300%
Max supply voltage without damage	18 V	Deflection at nominal load 0.5 mm

ELECTRICAL CONNECTIONS

Cable length	6 m
Cable diameter	5 mm
Cores	6 x 0.20 mm ²



The Company reserves the right to make changes to the technical data, drawings and images without notice.